

V1182-0550-C8RC-P

LENS, 8MP, 1/1.7", F=5-50MM, F/1.4, P IRIS

Infinova[®]



FEATURES

- 8.0MP
- P-iris
- 5~50 mm focal length, for many applications
- With CS-mount
- Operating temperature ranges from -20°C to +70°C
- Compact structure, easy to install

Infinova' s V1182-0550-C8RC-P series HD 8.0MP IR zoom lens which features wide aperture of F1.4 and broad focal length of 5-50mm is of many kinds of applications. It is able to work under the condition of -20°C~+70°C and have the function of IR correction. Its compact structure makes it easy to install.

TECHNICAL SPECIFICATIONS

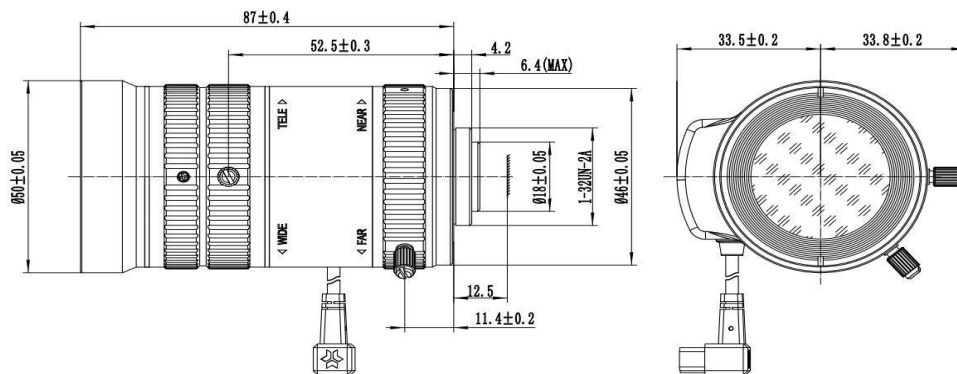
Resolution	8MP
Image format	1/1.7"
Focal Length	5~50mm
Aperture (F/#)	F1.4
Mount	CS
Resolution	8MP
Field Angle (D×H×V)	D:46.2°(W)~10.2°(T); H:36.3°(W)~8.8°(T); V:26.8°(W)~6.6°(T)
Optical Distortion	-15, 1%~1.2%
Minimum Object Distance (M.O.D)	1.5m

Weight	46.05 ±5g
Flange BFL	12.5mm
BFL	>8.26mm
MBF	>6.95mm
IR correction	Yes
Operation	Iris: P-iris Focus: Manual with Lock Zoom: Manual with Lock
Operating temperature	-20°C ~+70°C

ORDERING INFORMATION

V1182-0550-C8RC-P Lens, 8MP, 1/1.7", f=5-50mm, F/1.4, CS Mount, P iris

DIMENSIONS



(Unit: mm)