

V1182-1150-C8RF1-P

LENS, 8MP, 1/1.7", F=11-50MM, F/1.4, P IRIS

Infinova[®]



FEATURES

- 8.0MP
- DC auto iris
- 11~50 mm focal length, for many applications
- With CS-mount
- Operating temperature ranges from -30°C to +70°C
- Compact structure, easy to install

Infinova' s V1182-1150-C8RF1-P series HD 8.0MP IR zoom lens which features wide aperture of F1.4 and broad focal length of 11-50mm is of many kinds of applications. It is able to work under the condition of -30°C~+70°C and have the function of IR correction. Its compact structure makes it easy to install.

TECHNICAL SPECIFICATIONS

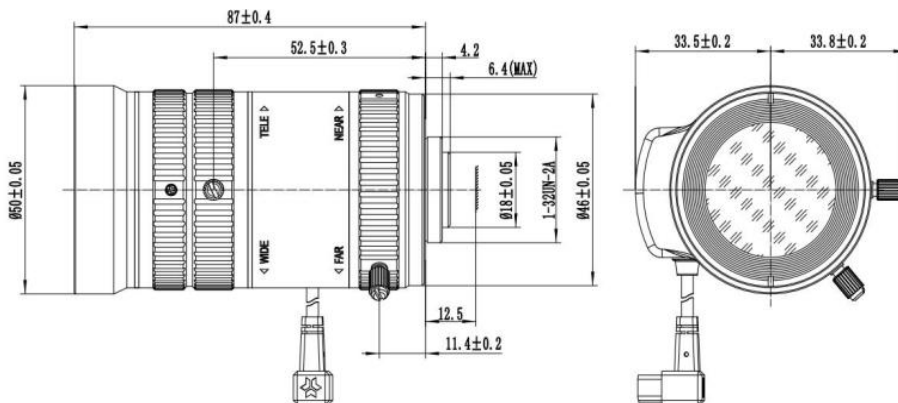
Resolution	8MP
Image format	1/1.7"
Focal Length	11~50mm
Aperture (F/#)	F1.4
Mount	CS
Angle of view (D°×H°×V°)	D:47°(W)~10.9°(T); H:36.9°(W)~8.8°(T); V:27.2°(W)~6.6°(T)
Optical Distortion	-10.7 ~ 0.07% (1/1.7")
Minimum Object Distance (M.O.D)	1.5m

Weight	267±5g
Flange BFL	12.5mm
BFL	>8.26mm
MBF	>6.95mm
IR correction	Yes
Operation	Iris: P Iris Focus: Manual Zoom: Manual
Operating temperature	-30°C ~+70°C

ORDERING INFORMATION

V1182-1150-C8RF1-P Lens, 8MP, 1/1.7", f=11-50mm, F/1.4, CS Mount, P Iris

DIMENSIONS



(Unit: mm)