

VH211-A2 SERIES

HD 2MP WDR IR SMART IP BULLET CAMERA

Infinova[®]



FEATURES

- 1/2.8" CMOS sensor
- IR-Cut Removable (ICR) Filter for Day/Night switching
- IR distance up to 50m
- Uses Smart-IR technology; auto-adjusts IR lamp power according to ambient illumination
- Supports multi-frame integration WDR, with dynamic range up to 132dB
- Built-in motorized zoom lens, supporting assistant focusing
- Smart functions, such as perimeter protection (wire cross and invasion detection) and features detection (scene change, defocus, color cast, low brightness and high brightness)
- H.265+M-JPEG or H.264+M-JPEG video encoding, three streams
- Maximum resolution supports 1920×1080@30fps
- Bi-directional audio, G.711-A/G.711-U/AAC optional
- Supports corridor mode
- Local PC recording
- Supports SD card storage
- Support alarm recording and event recording (including network disconnection)
- Supports alarm snapshot and event snapshot
- Up to 8 ROI (Region of Interest) areas
- Supports motion detection, 4 areas configurable
- Supports privacy mask, 4 privacy areas configurable
- Supports live access and parameter setting via Web Server from multiple users
- ONVIF Profile S/G/T compliant
- Supports PoE/12VDC/24VAC power supply
- IP67 rating
- With analog video output

DESCRIPTION

VH211-A2 Series HD 2MP WDR IR Smart IP Box Camera adopts a 1/2.8" progressive scan CMOS sensor and has an internal 2.7-13.5 mm HD motorized zoom lens, together with internal dot matrix LED IR illuminators covering 50m distance. The output power of IR illuminators can be automatically adjusted according to the lighting of the scene to avoid full load, greatly reducing the power consumption and extending the service life.

The camera adopts H.265/H.264/M-JPEG encoding and 3 streams, features high resolution up to 1080P@30fps and provides outstanding color rendition which helps you get richer and more accurate details.

The camera also features multiple smart functions, including detection of wire-cross, intrusion, scene change, defocus and color cast, as well as low brightness and high brightness, which makes it suitable for all kinds of high-end applications.

The camera is compact in structure and easy to install.

The products can be widely used in sites that demand high-definition image quality with no lighting of ordinary buildings, supermarkets, hotels, shops, parks, schools, factories, warehouses, underground parking lots, etc.

TECHNICAL SPECIFICATIONS

Lens (Visible)	
Image Sensor	1/2.8" progressive scan CMOS
Optical Zoom	-
Digital Zoom	-
Focal Length	f=2.7~13.5mm
Iris	F1.6
Focus	Available with online assistant focus
FOV(H/V/D)	H:33°~89°; V:18°~48°; D:38°~103°
Lens Mount	Φ14
Lens (Thermal)	
Imager Type	-
Lens Type	-
Spectral Band	-
Pixel Size	-
NETD	-
Focal Length	-
FOV	-
Video	
Camera Resolution (Visible Lens)	2MP
Camera Resolution (Thermal Lens)	-
Max. Coding Capacity (Visible Lens)	Major stream: H.264/H.265- 30fps@1920x1080 Minor stream: H.264/H.265- 30fps@1280x720 Third stream: M-JPEG- 5fps@1920x1080
Max. Coding Capacity (Thermal Lens)	-
Data Rate	VBR/CBR Major stream: 256Kbps~10240Kbps; Minor stream: 256Kbps~2048Kbps
Video Compression	H.265/H.264 switchable M-JPEG independent
Multi-Streaming	Three - stream independent output
Video Rotation	Video can be rotated by 90°, 180°
Audio	
Audio Compression	G.711-A/ G.711-U/ AAC
Sample Rate	8KHz (for G.711-A, G.711-U) 16KHz, 32KHz, 44.1KHz, 48KHz optional (for AAC)
Audio Interface	1 linear input, 1 linear output

Two-way Audio	Available
Mic & Speaker	-
Image	
Shutter	Auto/Manual (1/1s~1/32000s)
WDR	Up to 132dB
Exposure	Scene, Manual, Shutter
Sensitivity	Color mode: 0.002 lux@F1.4 (AGC ON); B/W mode: 0.0002 lux@F1.4 (AGC ON); 0 lux (IR ON)
White Balance	Auto/Manual/Outdoor
Video Adjustment	Brightness, contrast, saturation, chroma, sharpness
Noise Reduction	3D
S/N Ratio	≥62dB
Defog	Available
EIS	Available
Mirror	Horizontal/Vertical mirror
Corridor Mode	Available
Day/Night Switching	ICR
AGC	Auto/Manual adjustable, max. 64X
BLC	Available
HLC	Available
Privacy Mask	Up to 4 definable zones
ROI	Up to 8 definable zones
OSD	Supported
Pan/Tilt Functions	
Preset	-
Pattern	-
Autopan	-
Normal Tour	-
Home Return	-
Timing Tour	-
Autoscan	-
Area Zoom	-
IR Illumination	
Smart-IR	Available
Wave Length	850nm
Night Vision Distance	50m
Temperature Measurement	
Screening Function	-

TECHNICAL SPECIFICATIONS

Measurement	-
Measurement Distance	-
Measurement Range	-
Accuracy	-
Smart Analytics	
Video Analytics	Motion Detection - Supports up to 4 motion detecting areas Smart Functions - Detections of wire cross, regional invasion, scene change, defocus, low brightness, high brightness, video loss, color cast, camera tampering
Storage	
Storage Slots	Support single card
Built-in Storage	up to 512GB
NAS Storage	-
Local PC Recording	Available
Alarm	
Alarm Ports	2 alarm inputs, 1 on-off output
Alarm Input	I/O input, smart events, SD card full of videos, SD card full of images, network disconnection, heartbeat loss
Alarm Association	I/O output, email, image upload via FTP, audio, alarm info push, SD card snapshot, SD card recording
System Functions	
Operating System	Win 7 and higher versions
Browser	IE8 and higher versions
Access Protocol	ONVIF Profile S/G/T, CGI 2.7
Multiple Access	Up to 5-ch simultaneous access
Web Server	Available
Remote Upgrade	Available
Password Protection	Available
RS485 Port	-
Analog Video Output	-
Maximum Number of Users	10

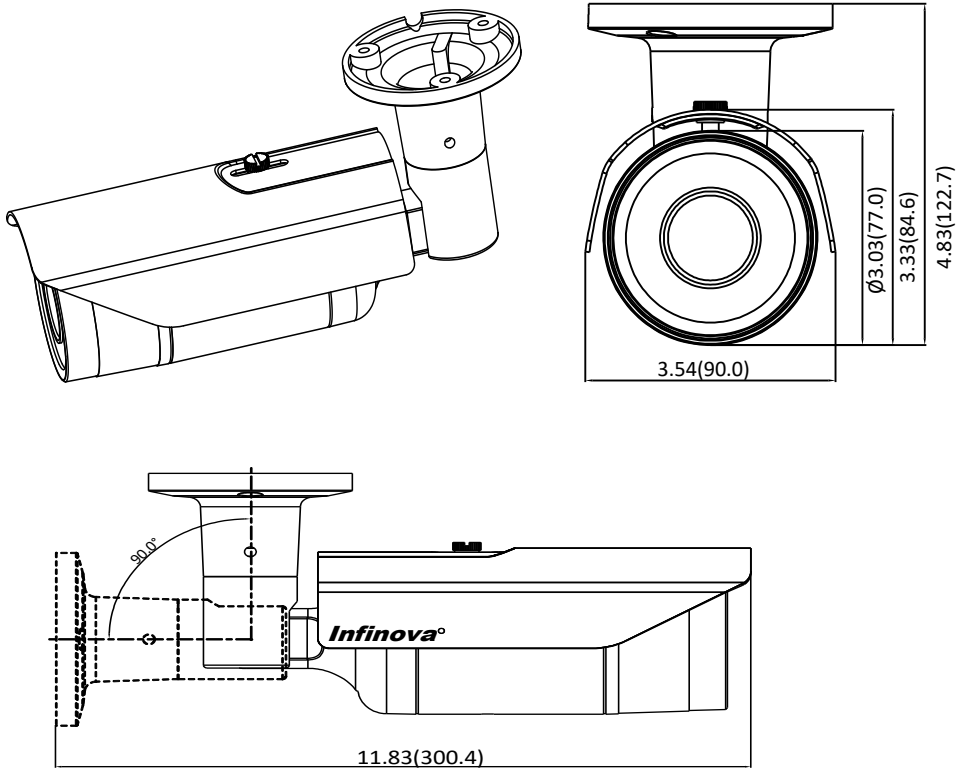
Wiper	-
Network	
Network Interface	1 RJ45 10M/ 100M self-adaptive Ethernet port
Network Protocols	IPv4/IPv6, TCP, UDP, IGMP, ICMP, IGMPv2/3, DHCP, SNMP (V1, V3), FTP, SMTP, NTP, RTP, RTSP, RTCP, HTTP, HTTPS, SSL, 802.1x, QoS, PPPoE, DNS, DDNS, ARP, UPnP, IP Filter, TLS, DES, Multicast
IP Address Filtering	Available
Network Delay	≤200ms
Environmental	
Anti-Static	contact protection 6KV static
Surge Protection	Difference mode: ±2KV, common mode: ±4KV
Operating Temperature	-40°F ~ 140°F (-40°C ~ 60°C)
Storage Temperature	-4°F ~ 140°F (-20°C ~ 60°C)
Operating Humidity	≤ 95% RH
Environmental Rating	IP67
Impact Resistance	IK10
Mechanical	
Manual Speed	-
Preset Speed	-
Rotation Angle	-
Preset Accuracy	-
Electric Motor	-
Electrical	
Power Supply	PoE (IEEE 802.3af Class 2) /12VDC /24VAC
Power Consumption	<13W
Physical	
Product Dimension (L×W×H) or (H x D)	3.33"×3.54×11.83" (84.6mm×90mm×300.4mm)
Package Dimension (L x W x H)	14.96"×5.98×5.12" (380mm×152mm×130mm)
Unit Weight	2.09lbs. (0.95Kg)
Shipping Weight	2.76lbs. (1.25Kg)
Certifications	
Product Certifications	CE; FCC; IK10; RoHS; IP67; UL

ORDERING INFORMATION

VH211-A20B-A0	HD Megapixel Smart WDR IR IP Bullet Camera, 2MP, 1/2.8"CMOS, Day/night, H.265/H.264/ M-JPEG, 2.7~13.5mm electric lens, IR illumination distance up to 50m, Outdoor, IP67, With audio alarm, PoE/12VDC/24VAC
Accessories	
Power Supply	
N3921-12D-1	AC to DC Power Supply, Plug-In, 230VAC, Output 12VDC, 1.5A
N3922-24A-2	AC to AC Power Supply, Plug-In, 230VAC, Output 24VAC, 3A
N3922-30P-2	Smart POE Injector, 100VAC-240VAC input, 30W output

***Note:** - "Confirmation of SD Card installation has to be notified with the Camera Purchase Order. Such confirmation if received on Order Readiness will attract additional cost. Please contact Infinova to know more".

DIMENSIONS



(Unit: inch, in the parentheses is mm)