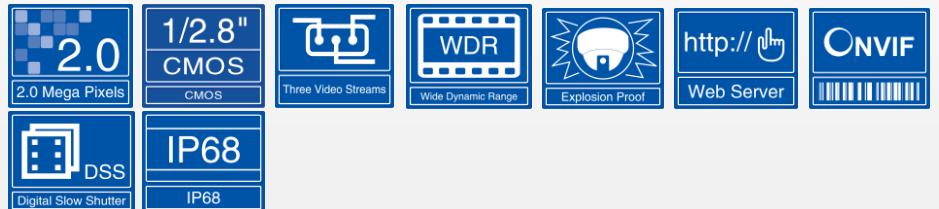


VP130-A220 SERIES

HD 2MP EXPLOSION-PROOF IP PTZ DOME CAMERA

Infinova[®]



FEATURES

- Built-in 33X HD integrated camera modules
- Maximum resolution up to 1920×1080 @ 30fps
- H.264 high profile & M-JPEG dual-stream encoding, three simultaneous video streams
- Two-way audio, G.711-U/G.711-A
- Remote PTZ Control via network
- Support area zoom and image PTZ function
- Dome title settings and display
- Support image overlapping
- Multiple white balance modes
- Defog supported
- Preset, pattern, autoscan, autopan, time tour, normal tour and power-on return
- Privacy mask and motion detection
- Local recording
- SD card storage, supports buffered video recording
- Heartbeat loss monitor, with SD card recording associated
- Compatible with Infinova's digital video surveillance software
- Standard SDK, easily to be integrated with other video surveillance software
- Onvif Profile S
- RS-485 control for easy adjustment
- Ex db II C T6 Gb/Ex tb III C T80°C, Db
- IP68 rating
- Remote upgrade via network.

DESCRIPTION

Infinova VP130-A220 series HD 2MP Explosion-Proof IP PTZ Dome Camera is an advanced explosion suppression surveillance installation. It makes full use of both traditional explosion-proof devices and intelligent dome cameras, featuring attractive appearance, lightweight and flexible, easy operation, etc. The safety is ensured and meanwhile the usability is greatly increased. The product can be independently used in indoor environment where flammable and explosive gas exists.

This series dome camera provides users with a full set of digital high definition, high frame rate, and high signal noise ratio real time image acquisition system. This series dome camera supports H.264/M-JPEG dual encoding, three simultaneous streams HD video browsing and control and its resolution is up to 1920×1080@30fps.

The dome supports 33X HD integrated camera modules. The user-friendly GUI interface is designed for easy PTZ control and convenient camera parameter settings. Thus, it is easier to set the PTZ and perform operations with a mouse than traditional keyboard. In addition, the area zooming and image PTZ functions are also offered.

All products shall meet the provisions of standard Ex db IIC T6 Gb (-20 °C ≤ Ta ≤ +60 °C)/ Ex tb IIIC T80°C Db (-20 °C ≤ Ta ≤ +60 °C) IP68 (For IPX8: 1 meter & 1 hour)

VP130-A220 series domes also provide functions such as preset, pattern, autoscan and autopan, normal tour, timing tour, etc.

TECHNICAL SPECIFICATIONS

Lens (Visible)			
Image Sensor	1/2.8" progressive scan CMOS	Audio Interface	1 input, linear level, impedance: 1kΩ; 1 output, linear level, impedance: 600Ω
Optical Zoom	33X	Two-way Audio	Available
Digital Zoom	12X	Mic & Speaker	-
Focal Length	f=6~200mm	Image	
Iris	F1.6~F3.5	Shutter	Auto (1/1s ~ 1/30,000s, adjustable)
Focus	Auto, Manual	WDR	WDR*/AD WDR*
FOV(H/V/D)	H: 62.10° ~ 1.88°; V: 36.83° ~ 1.09°; D: 69.10° ~ 2.17°	Exposure	Auto/Manual/Shutter
Lens Mount	-	Sensitivity	
Lens (Thermal)		Color mode: 0.4 lux @ F1.6 (1/30s, 350mV equiv., AGC-Gain: 48dB) 0.1 lux @ F1.6 (1/8s, 350mV equiv., AGC-Gain: 48dB)	
Imager Type	-	B/W mode: 0.01 lux @ F1.6 (1/8s, 350mV equiv., AGC-Gain: 48dB)	
Lens Type	-	White Balance	AUTO/MANU/SODIUM/MERCURY
Spectral Band	-	Video Adjustment	Sharpness adjustable, slow AE, night vision
Pixel Size	-	Noise Reduction	3D
NETD	-	S/N Ratio	>62dB
Focal Length	-	Defog	Available
FOV	-	EIS	On/Off
Video		Mirror	Off/H-mirror/V-mirror/HV-mirror
Camera Resolution (Visible Lens)	2MP	Corridor Mode	-
Camera Resolution (Thermal Lens)	-	Day/Night Switching	ICR
Max. Coding Capacity (Visible Lens)	Major stream: H.264- 30fps@1920×1080 Minor stream: H.264- 30fps@1280×720 Third stream: M-JPEG- 5fps@1920×1080	AGC	Available
Max. Coding Capacity (Thermal Lens)	-	BLC	On/Off
Data Rate	VBR/CBR Major stream: 256Kbps~1024Kbps	HLC	On/Off
Video Compression	H.264 high profile/M-JPEG independent coding	Privacy Mask	Up to 4 definable zones
Multi-Streaming	Three stream independent output	ROI	Up to 8 definable zones
Video Rotation	Video can be rotated by 90°, 180°	OSD	Supported
Audio		Pan/Tilt Functions	
Audio Compression	G.711	Preset	1024
Sample Rate	8KHz (for G.711-A, G.711-U); 16KHz, 32KHz, 44.1KHz, 48KHz (for AAC)	Pattern	12
		Autopan	12
		Normal Tour	16 (each tour can be associated with 14 acts, including preset 1~32, pattern 1~4, autopan 1~4)
		Home Return	Available
		Timing Tour	Available
		Autoscan	Available
		Area Zoom	Available

TECHNICAL SPECIFICATIONS

IR Illumination		Maximum Number of Users	
Smart-IR	-	64, with 3 types of users available: administrator, normal user, and operator	
Wave Length	-	Wiper	-
Night Vision Distance	-	Network	
Temperature Measurement		Network Interface	1*RJ45 10/100M self-adaptive Ethernet port
Screening Function	-	Network Protocols	
Measurement Distance	-	IPv4, TCP, UDP, IGMP, DHCP, FTP, SNMP(v3), SMTP, NTP, RTP, RTSP, RTCP, SFTP, HTTP, HTTPS, TSL, SSL, 802.1X, QoS, PPPoE, DNS, ARP, ICMP	
Measurement Range	-	IP Address Filtering	Support blacklist and whitelist filtering
Accuracy	-	Network Delay	<300ms
Smart Analytics		Environmental	
Video Analytics	Motion Detection - Available, 4 areas Smart Video Analytics - wire crossing detection, intrusion detection	Anti-Static	Air discharge: 8KV, contact protection: 6KV (for all ports)
Storage		Surge Protection	±2KV
Storage Slots	Supports dual cards	Operating Temperature	-40°F ~ +140°F (-40°C ~ +60°C)
Built-in Storage	Up to 512GB	Storage Temperature	-40°F~140°F (-40°C~+60°C)
NAS Storage	-	Operating Humidity	≤95% RH
Local PC Recording	Available	Environmental Rating	IP68
Alarm		Impact Resistance	IK10
Alarm Ports	2 Alarm input, 1 Alarm output	Mechanical	
Alarm Input	I/O input, motion detection, smart analysis, SD card removal, network disconnection, heartbeat loss	Manual Speed	Pan: 0.1° ~ 250°/s; Tilt: 0.1° ~ 90°/s
Alarm Association	I/O output, email, FTP upload, audio, SD card snapshot, SD card recording	Preset Speed	Up to 300°/s
System Functions		Rotation Angle	Pan: 360°; Tilt: -3°~90°
Operating System	Win7 and higher versions	Preset Accuracy	±0.1°
Browser	IE8 and higher versions	Electric Motor	Stepping motor
Access Protocol	Onvif Profile S	Electrical	
Multiple Access	Up to 5-ch simultaneous access	Power Supply	24VAC/24VDC
Web Server	Available	Power Consumption	24VAC: 35W; 24VDC: 33W
Remote Upgrade	Available	Physical	
Password Protection	Available	Product Dimension (L×W×H) or (H x D)	12.19" × 9.37" × 15.12" (309.5mm × 238mm × 384mm)
RS485 Port	Available	Package Dimension (L x W x H)	54mm×40mm×45mm
Analog Video Out	-	Unit Weight	26.46lbs (12kg)
		Shipping Weight	13kg
		Certifications	
		Product Certifications	IECEX; CCOE/PESO; CE; FCC; IK10; IP68; RoHS

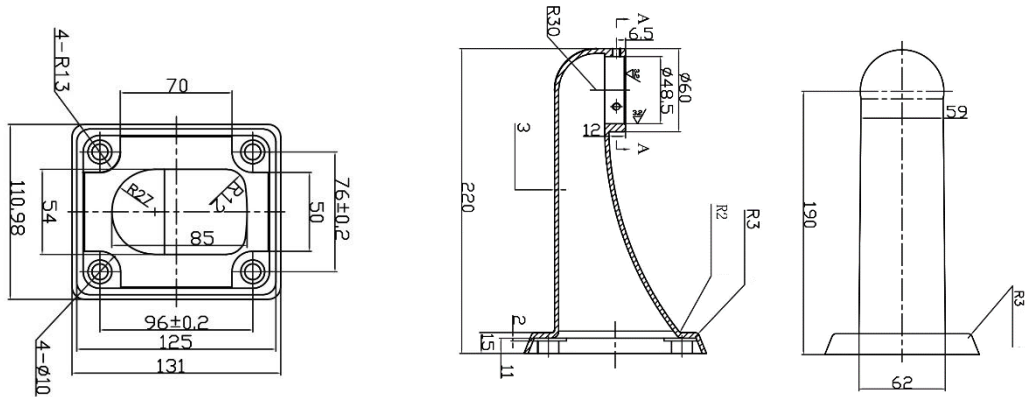
ORDERING INFORMATION

VP130-A220C761	HD Megapixel Explosion-proof IP PTZ Dome, Starlight, WDR, Intelligent, 2MP, 33X, 1/2.8"CMOS, Day/night, H.265/H.264/M-JPEG, With wall mounted bracket, 304 Stainless Steel, 24VDC/24VAC
VP130-A220C762	HD Megapixel Explosion-proof IP PTZ Dome, Starlight, WDR, Intelligent, 2MP, 33X, 1/2.8"CMOS, Day/night, H.265/H.264/M-JPEG, With wall mounted bracket, 316 Stainless Steel, 24VDC/24VAC
VP130-A220C763	HD Megapixel Explosion-proof IP PTZ Dome, Starlight, WDR, Intelligent, 2MP, 33X, 1/2.8"CMOS, Day/night, H.265/H.264/M-JPEG, With wall mounted bracket, 316L Stainless Steel, 24VDC/24VAC
VP130-A220C771	HD Megapixel Explosion-proof IP PTZ Dome, Starlight, WDR, Intelligent, 2MP, 33X, 1/2.8"CMOS, Day/night, H.265/H.264/M-JPEG, With lifting bracket, 304 Stainless Steel, 24VDC/24VAC
VP130-A220C772	HD Megapixel Explosion-proof IP PTZ Dome, Starlight, WDR, Intelligent, 2MP, 33X, 1/2.8"CMOS, Day/night, H.265/H.264/M-JPEG, With lifting bracket, 316 Stainless Steel, 24VDC/24VAC
VP130-A220C773	HD Megapixel Explosion-proof IP PTZ Dome, Starlight, WDR, Intelligent, 2MP, 33X, 1/2.8"CMOS, Day/night, H.265/H.264/M-JPEG, With lifting bracket, 316L Stainless Steel, 24VDC/24VAC
Accessories	
Power Supply	
N3922-24A-2	AC to AC Power Supply, Plug-In, 230VAC, Output 24VAC, 3A
N3922-24D-2	AC to DC Power Supply, Plug-In, 230VAC, Output 24VDC 3A

***Note:** - "Confirmation of SD Card installation has to be notified with the Camera Purchase Order. Such confirmation if received on Order Readiness will attract additional cost. Please contact Infinova to know more".

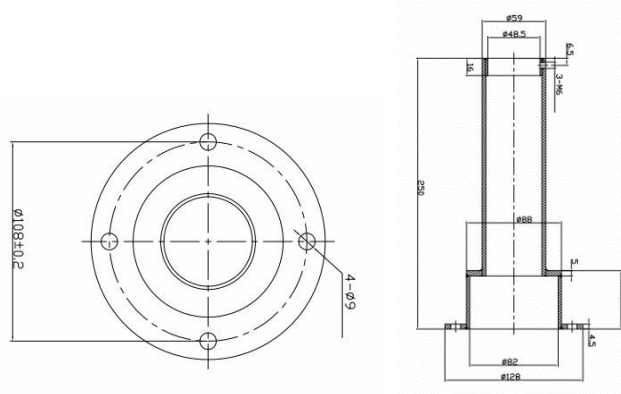
MOUNTING

Wall mounting bracket



(Unit: mm)

Pendant mounting bracket



(Unit: mm)