

V1760 SERIES

INDOOR/ OUTDOOR DOME MOUNTS

Infinova[®]



FEATURES

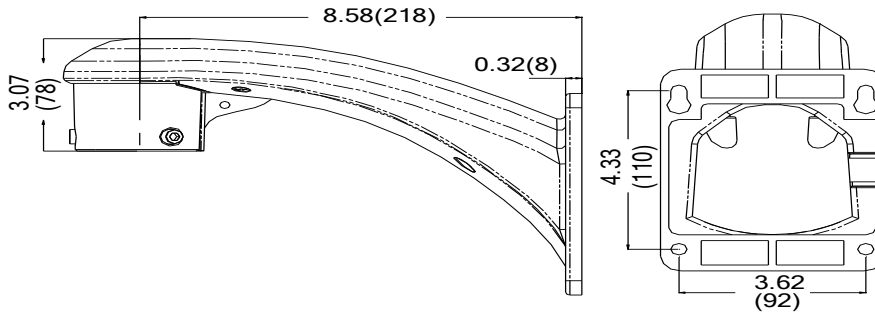
- Diversified mounts
- Easy installation and wiring

ORDERING INFORMATION

V1761K	Wall Mount for VT230/VT231/VS231/V1770NR Series PTZ Super Dome Camera, 10 inch horizontal
V1762K	Corner Mount for VT230/VT231/VS231/ V1770NR Series PTZ Super Dome Camera, 10 inch horizontal
V1763K	Pole Mount for VT230/VT231/VS231/V1770NR Series PTZ Super Dome Camera, 10 inch horizontal
V1761MT-W1	Wall Mount for VS120 / VS221 Series Minidome Camera, 6-inch horizontal, High gloss white, NPT 11/2"
V1762MT-W1	Corner Mount for VS221 Series Minidome Camera, 6-inch horizontal, High gloss white, NPT 11/2"
V1763MT-W1	Pole Mount for VS221 Series Minidome Camera, 6-inch horizontal, High gloss white, NPT 11/2"

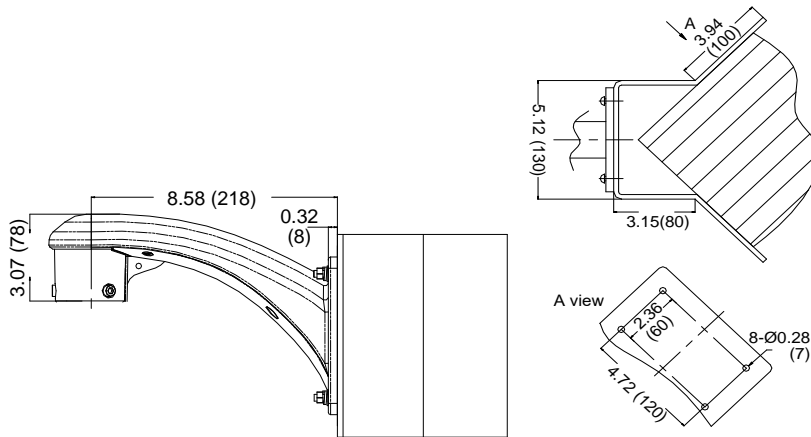
DIMENSIONS

1. V1761K series wall mount:



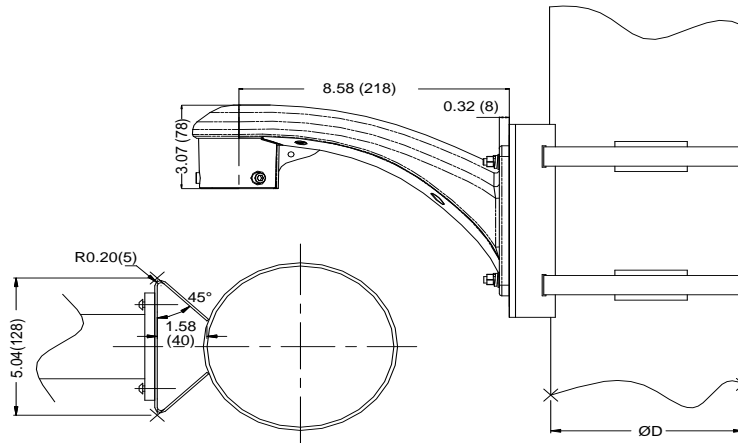
V1761K Wall Mount

2. V1762K series corner mount:



V1762K Corner Mount

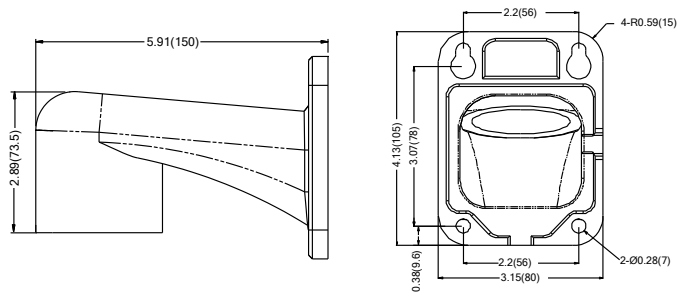
3. V1763K series pole mount:



V1763K Pole Mount

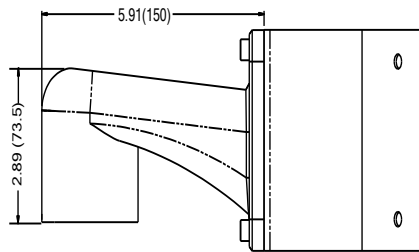
Note: Refer to the corresponding installation manuals for detailed installation dimensions and procedures.

4. V1761MT-W1 wall mount domes combined with the arm brackets.

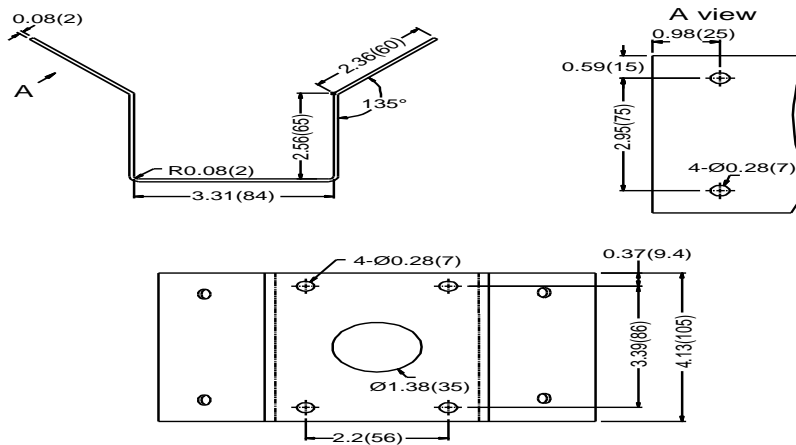


Wall Mount

5. V1762MT-W1 installation dimensions for corner mounting combined with arm brackets.

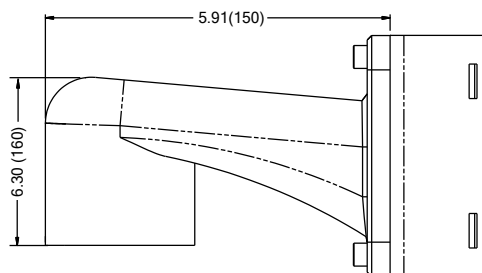


Corner Mount

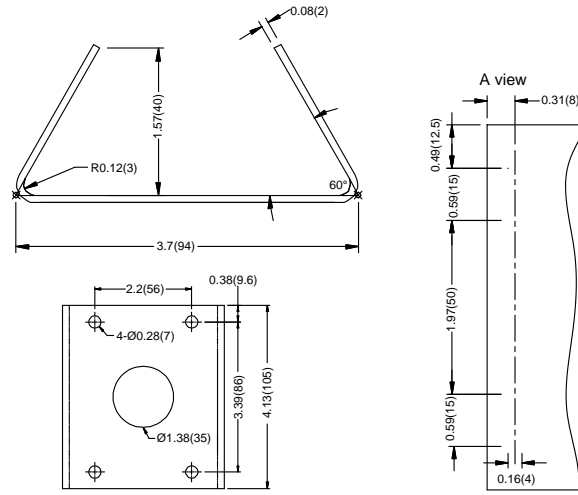


Installing Bracket Base

6. V1763MT-W1 installation dimensions for pole mounting combined with arm brackets.



Pole Mount



Installing Bracket Base