

VH220-A20B-P022

HD 2MP STARLIGHT WDR IP MINIDOME CAMERA

Infinova[®]



FEATURES

- 1/2.8" progressive scan CMOS sensor
- IR-Cut Removable (ICR) Filter for Day/Night switching
- Support multi-frame integrated WDR, with a range up to 120dB
- Embedded with motorized zoom lens; support auxiliary focus adjustment
- H.265/H.264/M-JPEG/SVC encoding
- High-resolution image signal output: 1920×1080@30fps
- Support Smart H.265/Smart H.264 encoding for efficient broadband utilization
- Support vivid smart functions such as video anomaly detection, behaviour-analysis detection, sound detection, statistics detection, Intelligent grouping detection
- Bi-directional audio, G.711-U/G.711-A/AAC
- Local PC recording
- Micro SD card
- Support multiple ways to trigger alarms, such as I/O input, smart analysis, SD card removal, SD card full of videos, SD card full of images, network disconnection and heartbeat loss
- Support flexible alarm associated settings: like I/O output, email, image upload via FTP, audio, SD card recording, SD card snapshot and alarm info push
- Up to 8 ROI (Region of Interest) areas
- Up to 4 definable privacy mask areas
- Support corridor mode
- Support simultaneous access and parameter setting via Web Server from multiple clients
- ONVIF Profile S/G & T compliant
- PoE/12VDC/24VAC
- IK10 vandal-proof rating
- IP67 environmental rating for outdoor use
- UL

DESCRIPTION

Infinova VH220-A2 Series HD 2MP Intelligent Starlight WDR IP Minidome Camera applies 1/2.8-inch CMOS sensor and embedded 2.7~13.5mm HD motorized vari-focal lens.

With H.265/H.264/M-JPEG/SVC video compression formats and three-stream encoding, the camera can output high-quality images with resolution up to 1080P@30fps, providing marvelous definition, color restoration and more accurate image details.

The product adopts self-developed deep-learning algorithm and supports various smart analysis functions, including video exception detection, face detection, tracking and capturing, counting, crowd detection and behaviour analysis etc. Thus, the camera is applicable for various high-end commercial application.

The camera can be widely used in ordinary buildings, supermarkets, hotels, shops, parks, schools, factories, warehouses and other occasions.

TECHNICAL SPECIFICATIONS

Lens (Visible)			
Image Sensor	1/2.8" progressive scan CMOS	Shutter	Auto/Manual (1/1s~1/32,000s)
Optical Zoom	-	WDR	Up to 120dB
Digital Zoom	-	Exposure	Auto/Manual/Shutter
Focal Length	f=2.7~13.5mm	Sensitivity	Color mode: 0.005 Lux@ F1.6(AGC ON, fill-in light OFF); B/W mode: 0.003 Lux@ F1.6(AGC ON, fill-in light OFF)
Iris	F1.6, Auto	White Balance	Auto/Manual/Outdoor
Focus	Support network auxiliary adjustment	Video Adjustment	Brightness, Contrast, Saturation, Hue, Sharpness adjustable
FOV(H/V/D)	H:53.2°~18.6°; V:104°~33.2°; D:123.2°~38°	Noise Reduction	3D
Lens Mount	Φ14	S/N Ratio	≥62dB
Lens (Thermal)		Defog	Available
Imager Type	-	EIS	Available
Lens Type	-	Mirror	Horizontal/Vertical
Spectral Band	-	Corridor Mode	Available by video rotation
Pixel Size	-	Day/Night Switching	ICR
NETD	-	AGC	Auto/Manual, up to 64X
Focal Length	-	BLC	Available
FOV	-	HLC	Available
Video		Privacy Mask	Up to 4 definable zones
Camera Resolution (Visible Lens)	2MP	ROI	Up to 8 definable zones
Camera Resolution (Thermal Lens)	-	OSD	Supported
Max. Coding Capacity (Visible Lens)	Major stream: H.264/H.265-30fps@1920x1080 Minor stream: H.264/H.265-30fps@1280x720 Third stream: M-JPEG -30fps@1920x1080	Pan/Tilt Functions	
Max. Coding Capacity (Thermal Lens)	-	Preset	-
Data Rate	VBR/CBR Major stream: 128Kbps~10240Kbps; Minor stream: 128Kbps~4096Kbps	Pattern	-
Video Compression	H.265 /H.264/M-JPEG/SVC independent coding	Autopan	-
Multi-Streaming	Three-stream independent output	Normal Tour	-
Video Rotation	Video can be rotated by 90°, 180° or 270°	Home Return	-
Audio		Timing Tour	-
Audio Compression	G.711-A/ G.711-U/ AAC	Autoscan	-
Sample Rate	8KHz (for G.711-A/G.711-U), 16KHz, 32KHz, 44.1KHz and 48KHz (for AAC)	Area Zoom	-
Audio Interface	1 input, Linear level; 1 output, Linear level	IR Illumination	
Two-way Audio	Supported	Smart-IR	-
Mic & Speaker	-	Wave Length	-
Image		Night Vision Distance	-
		Temperature Measurement	
		Screening	-
		Function	-
		Measurement	-
		Measurement	-
		Distance	-
		Measurement Range	-
		Accuracy	-

TECHNICAL SPECIFICATIONS

Smart Analytics	
Video Analytics	Video Anomaly Detection-Camera tampering, camera shifting, defocus detection, high brightness detection, low brightness detection, video loss detection, color cast detection, and motion detection Behaviour Analysis Detection - Wire crossing detection, intrusion detection, object abandoned detection, object lost detection, loitering detection, crowd detection, fast moving detection, target stop detection, and fall over detection Sound Detection - Abnormal sound detection and fight detection Statistics Detection - Counting, density detection, queue length detection and dwelling detection Intelligent Grouping Detection- Behaviour analysis grouping, face capture grouping. Face capture - Supports face detection, tracking and capturing. Optimum Selection- Supports optimum selection and duplicate removal for captured target images to deliver the best-quality images. Face Exposure - Available Face attributes - gender, glasses, eyes open, mask, mouth open
Storage	
Storage Slots	Supports single card
Built-in Storage	Up to 512GB
NAS Storage	-
Local PC Recording	Available
Alarm	
Alarm Ports	2 alarm inputs, 1 on-off output
Alarm Input	I/O input, smart detection, SD card removal, SD card full of videos, SD card full of images, network disconnection, and heartbeat loss
Alarm Association	I/O output, email, image upload via FTP, image upload via HTTP, SD card snapshot, SD card recording, and alarm info push
System Functions	
Operating System	Win 7 and higher versions
Browser	IE8 and higher versions
Access Protocol	ONVIF Profile S/G/T, Infinova CGI
Multiple Access	Up to 20-ch simultaneous access
Web Server	Available
Remote Upgrade	Available

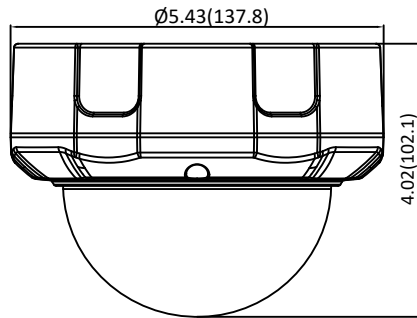
Password Protection	Available
RS485 Port	-
Analog Video Output	-
Maximum Number of Users	64, with 3 types of users available: administrator, normal user, and operator
Wiper	-
Network	
Network Interface	1 RJ45 10M/ 100M self-adaptive Ethernet port IPv4/IPv6, TCP, UDP, IGMP, ICMP, IGMPv2/3, DHCP, SNMP (V1, V3), FTP, SMTP, NTP, RTC, RTP, RTSP, RTCP, HTTP, HTTPS, SSL, 802.1x, QoS, PPPoE, DNS, DDNS, ARP, UPnP, IP Filter, TLS, DES, Multicast
Network Protocols	
IP Address Filtering	Available
Network Delay	≤200ms
Environmental	
Anti-Static	Air discharge: 8KV, contact discharge: 6KV
Surge Protection	Difference mode ±1KV, common mode ±2KV
Operating Temperature	-40°F~140°F (-40°C~+60°C)
Storage Temperature	-40°F~140°F (-40°C~+60°C)
Operating Humidity	≤ 95% RH
Environmental Rating	IP67
Impact Resistance	IK10
Mechanical	
Manual Speed	-
Preset Speed	-
Rotation Angle	-
Preset Accuracy	-
Electric Motor	-
Electrical	
Power Supply	PoE (IEEE 802.3af Class 2) /12VDC/24VAC
Power Consumption	<12W
Physical	
Product Dimension (L×W×H) or (H x D)	4.02" × 5.43" (102.1mm×137.8mm)
Package Dimension (L x W x H)	8.03" × 6.34" × 8.11" (204mm×161mm×206mm)
Unit Weight	1.98lbs. (0.9Kg)
Shipping Weight	2.54lbs. (1.15Kg)
Certifications	
Product Certifications	CE; FCC; IP67; IK10; RoHS; UL

ORDERING INFORMATION

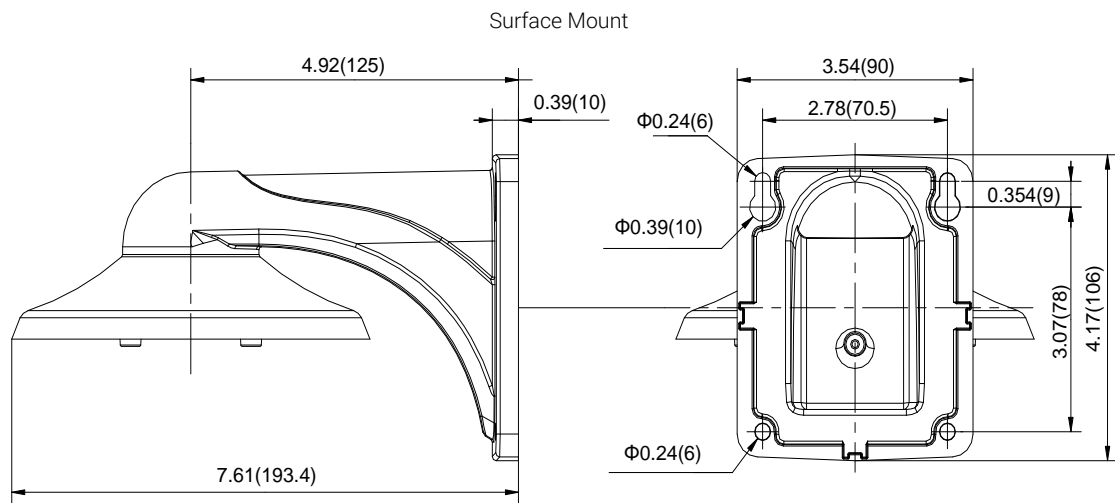
VH220-A20B-P022	HD IP Minidome Camera, 2MP, 1/2.8" CMOS, Day/night, WDR, Starlight, Smart, Face capture, Mask recognition, H.265/H.264/M-JPEG/SVC, 2.7~13.5mm motorized lens, With audio alarm, Outdoor, Surface mounting, PoE/12VDC/24VAC
Accessories	
Mount	
V1761HA	Wall-mounting bracket
Power Supply	
N3921-12D-1	AC to DC Power Supply, Plug-In, 230VAC, Output 12VDC, 1.5A
N3922-30P-2	Smart POE Injector, 100VAC-240VAC input, 30W output
N3921-24A-2	AC to AC Power Supply, Plug-In, 230VAC, Output 24VAC, 1A

***Note:** - "Confirmation of SD Card installation has to be notified with the Camera Purchase Order. Such confirmation if received on Order Readiness will attract additional cost. Please contact Infinova to know more".

DIMENSIONS



MOUNTING



Wall Mount
(Unit: inch, in the parentheses is mm)