

VPA541-B2 SERIES

DUAL VISION BULLET THERMAL CAMERA

Infinova[®]



FEATURES

- On-board temp-detection algorithm
- Max pixels: 640X512/384X288
- Sensitivity: $\leq 50\text{mK}$ @F1.0, 25 °C
- Support 3 temperature measurement rule types (Spot, Line, Area)
- 18 color control
- Multi areas temperature measurement is supported, and key monitoring areas can be set flexibly
- Supports abnormal temperature alarm and fire alarm

TECHNICAL SPECIFICATIONS

Lens (Visible)	
Image Sensor	1/2.9" Progressive scan CMOS
Optical Zoom	-
Digital Zoom	12X
Focal Length	f=2.8mm/4mm/6mm
Iris	F1.5
Focus	Manual Focus
FOV(H/V/D)	2.8mm: 87.7°×56.7°; 4mm: 67.8°×41.4°; 6mm: 45.56°×26.6°
Lens Mount	-
Lens (Thermal)	
Imager Type	Uncooled IRFPA Microbolometer
Lens Type	Fixed
Spectral Band	8-14μm
Pixel Size	14μm /17μm
NETD	≤50mK @F1.0, 300K
Focal Length	640X512:25mm/13mm/19; 384X288:13mm/9.7mm/4mm
FOV	640X512: 25mm: 17.5°×14° 19mm: 22.9°×18.4° 13mm: 32.9°×26.6° 384X288: 13mm: 28.2°×21.3° 9.7mm:37.2°×28.3° 4mm: 78.4°×62.9°
Video	
Camera Resolution (Visible Lens)	2MP,1920*1080
Camera Resolution (Thermal Lens)	640X512/384X288
Max. Coding Capacity (Visible Lens)	Major stream: H.264/H.265- 30fps@1920×1080 Minor stream: H.264/H.265- 30fps@1280x720
Max. Coding Capacity (Thermal Lens)	Major stream: H.264/H.265- 30fps@640X512 Minor stream: H.264/H.265- 30fps@384X288
Data Rate	1024Kbps~16384Kbps
Video Compression	H.265/H.264 independent coding
Multi-Streaming	Four - streams (Two- streams for thermal camera, Two-streams for visible camera)
Video Rotation	Vertical /Horizontal
Audio	
Audio Compression	G.711u/G.722
Sample Rate	8KHz
Audio Interface	1ch Audio In, 1ch Audio Out
Two-way Audio	Available
Mic & Speaker	-
Image	
Shutter	Manual / Auto
WDR	Support
Exposure	-
Sensitivity	Color: 0.01 Lux@ (F1.5, AGC ON) B&W: 0.001 Lux@ (F1.5, AGC ON)
White Balance	Support
Video Adjustment	Mirror/FCC/3D DNR Brightness/Contrast
Noise Reduction	3D
S/N Ratio	>48dB
Defog	Support
EIS	-
Mirror	Support
Corridor Mode	-

Day/Night Switching	Manual / Auto
AGC	Support
BLC	Support
HLC	Support
Privacy Mask	Support
ROI	Support
OSD	Support
Pan/Tilt Functions	
Preset	-
Pattern	-
Autopan	-
Normal Tour	-
Home Return	-
Timing Tour	-
Autoscan	-
Area Zoom	-
IR Illumination	
Smart-IR	Yes
Wave Length	850nm
Night Vision Distance	30m
Temperature Measurement	
Screening Function	Yes
Measurement	Wide range of ambient temperature test Support point temperature measurement, line temperature measurement, area temperature measurement and other temperature measurement methods.
Measurement Distance	Based on the different lens
Measurement Range	-20°C ~ 550°C
Accuracy	±2°C or ±2% of reading (maximum value)
Smart Analytics	
Video Analytics	Intelligent Functions - Motion detection, Disk alarm, I/O alarm, Temperature alarm IVS - Support temperature threshold warning (alarm below threshold, alarm over threshold, alarm between thresholds, alarm beyond threshold), fire level and fire point detection, regional temperature contrast and analysis warning, cross line detection, entering detection and leaving detection Fir Detection
Storage	
Storage Slots	Support a single card
Built-in Storage	Up to 256GB
NAS Storage	Support
Local PC Recording	Available
Alarm	
Alarm Ports	1ch Alarm In, 1ch Alarm Out
Alarm Input	Temperature Alerts:4 temperature rules (above high, below low, between, beyond), and support area temperature comparison Smart Functions: Fire potential alarm, foreign object intrusion alarm, trip wire, out of bounds, intrusion alarm Image Fusion: Supports visible light and infrared fusion
Alarm Association	Support
System Functions	
Operating System	CPU requirements: I5 dual core 2.5G and above Memory requirements: 4G No graphics card required Win7 or win10

TECHNICAL SPECIFICATIONS

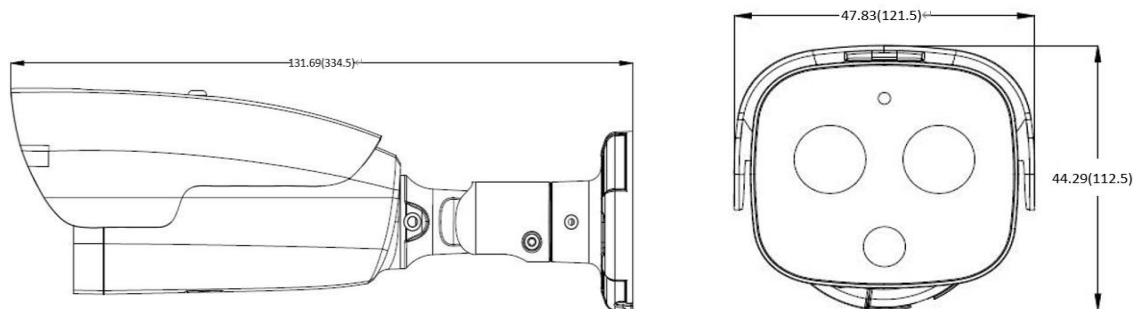
Browser	IE8 and higher versions
Access Protocol	ONVIF, SDK
Multiple Access	6
Web Server	Available
Remote Upgrade	Available
Password Protection	Available
RS485 Port	Support
Analog Video Output	-
Maximum Number of Users	300
Wiper	-
Network	
Network Interface	1*RJ45 10/100M self-adaptive Ethernet port
Network Protocols	ICMP, TCP, UDP, RTP, RTSP, DHCP, PPPOE, UPNP, DDNS, ONVIF, FTP
IP Address Filtering	Support
Network Delay	<200ms
Environmental	
Anti-Static	Air discharge: 12KV, contact protection: 8KV
Surge Protection	Difference mode: ±1KV, common mode: ±2KV
Operating Temperature	-40°C ~ 70°C (-40°F ~ 158°F)
Storage Temperature	-40°C ~ 70°C (-40°F ~ 158°F)

Operating Humidity	≤95% RH
Environmental Rating	IP66
Impact Resistance	-
Mechanical	
Manual Speed	-
Preset Speed	-
Rotation Angle	-
Preset Accuracy	-
Electric Motor	-
Electrical	
Power Supply	12VDC
Power Consumption	≤10W
Physical	
Product Dimension (L×W×H) or (H x D)	131.69"x47.83" x44.29" (334.5×121.5×112.5mm)
Package Dimension (L x W x H)	433mm*212mm*221mm
Unit Weight	3.53lbs. (1.6Kg)
Shipping Weight	≤1.8kg
Certifications	
Product Certifications	CE; FCC; IP66

ORDERING INFORMATION

VPA541-B225-M4	Dual Vision Bullet Thermal Camera, Thermal image size 640X512, Visible camera 2MP, 25mm lens, F1.0, 12VDC
VPA541-B219-M4	Dual Vision Bullet Thermal Camera, Thermal image size 640X512, Visible camera 2MP, 19mm lens, F1.0, 12VDC
VPA541-B213-M4	Dual Vision Bullet Thermal Camera, Thermal image size 640X512, Visible camera 2MP, 13mm lens, F1.0, 12VDC
VPA541-B213-M4-1	Dual Vision Bullet Thermal Camera, Thermal image size 384X288, Visible camera 2MP, 13mm lens, F1.0, 12VDC
VPA541-B209-M4-1	Dual Vision Bullet Thermal Camera, Thermal image size 384X288, Visible camera 2MP, 9mm lens, F1.0, 12VDC
VPA541-B204-M4-1	Dual Vision Bullet Thermal Camera, Thermal image size 384X288, Visible camera 2MP, 4mm lens, F1.0, 12VDC
Accessories	
Power Supply	
N3921-12D-1	AC to DC Power Supply, Plug-In, 230VAC, Output 12VDC, 1.5A

DIMENSIONS



(Unit: inch, in the parentheses is mm)